

TOLERANCE & MACHINE NOTES UNLESS OTHERWISE SPECIFIED		NAME	DATE
DIMENSIONS ARE IN INCHES @ 68-72 °F		TM	2/13/19
TOLERANCES:		CHECKED	
TWO PLACE DECIMAL	±.010	ENG APPR	
THREE PLACE DECIMAL	±.005	MFG APPR	
FOUR PLACE DECIMAL	±.0005		
MAXIMUM MACHINED SURFACE		COMMENTS	
ANGULAR: .5°		C.A.	
CHAMFER ALL EDGES: .03 x 45°		HEAT TREATMENT	
FILLET RADIUS: .015		FINISH	
DO NOT SCALE DRAWING			

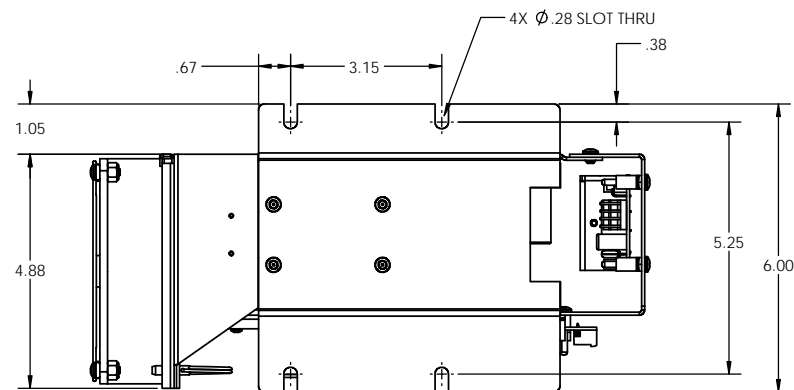
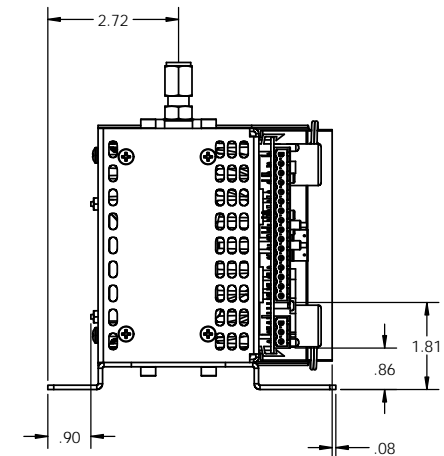
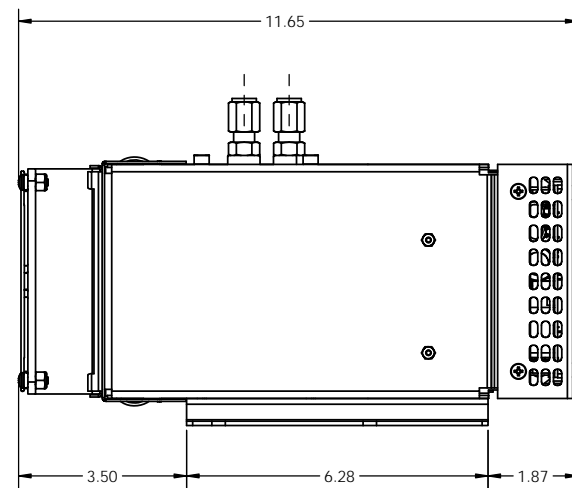
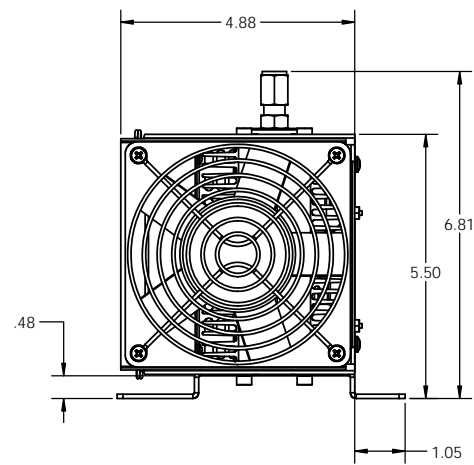
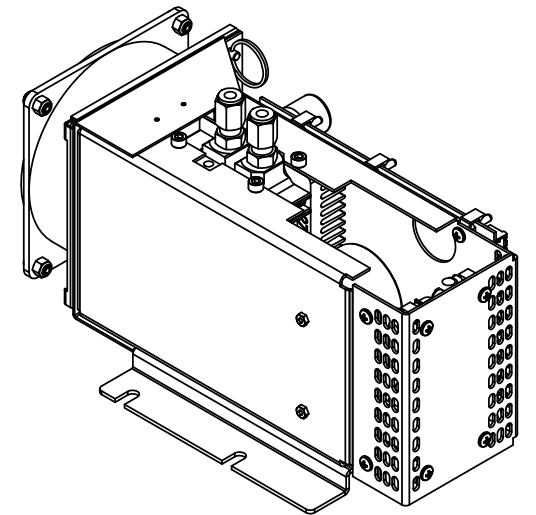
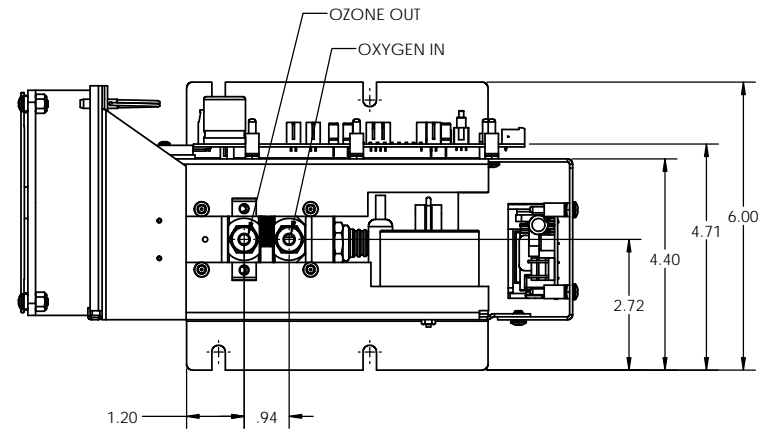
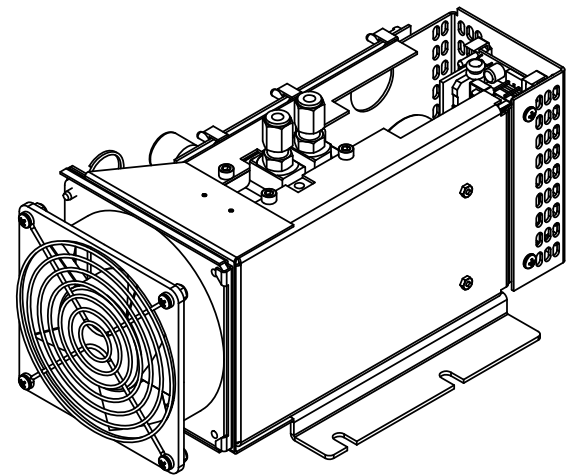
PTI Plasma Technics Inc.

TITLE: 5g Plasma Block

SIZE: D DWG. NO: 79401 REV: 0

SCALE: 1:2 WEIGHT: SHEET 1 OF 2

REV.	CHANGES	DATE	ENG.
0	INITIAL RELEASE	2/13/2019	TM



TOLERANCE & MACHINE NOTES UNLESS OTHERWISE SPECIFIED		NAME	DATE
DIMENSIONS ARE IN INCHES @ 68-72 °		TM	2/13/19
TOLERANCES:		CHECKED	
TWO PLACE DECIMAL	±0.010	ANGULAR	±0.1°
THREE PLACE DECIMAL	±0.005	CHAMFER ALL EDGES	0.03 x 45°
FOUR PLACE DECIMAL	±0.0005	FILLET RADIUS	0.01 - 0.05
MAXIMUM MACHINED SURFACE		ENG APPR	
		MFG APPR	
PROPRIETARY AND CONFIDENTIAL		COMMENTS	
THE INFORMATION CONTAINED IN THIS DRAWING IS THE SOLE PROPERTY OF PLASMA TECHNIQS INC. ANY REPRODUCTION IN PART OR AS A WHOLE WITHOUT THE WRITTEN PERMISSION OF PLASMA TECHNIQS INC. IS PROHIBITED.		MATERIAL	
		HEAT TREATMENT	
		FINISH	
		DO NOT SCALE DRAWING	

PTI Plasma Technics Inc.

TITLE: 5g Plasma Block

SIZE: D DWG. NO: 79401 REV: 0

SCALE: 1:2 WEIGHT: SHEET 2 OF 2

REV.	CHANGES	DATE	ENG.
0	INITIAL RELEASE	2/13/2019	TM